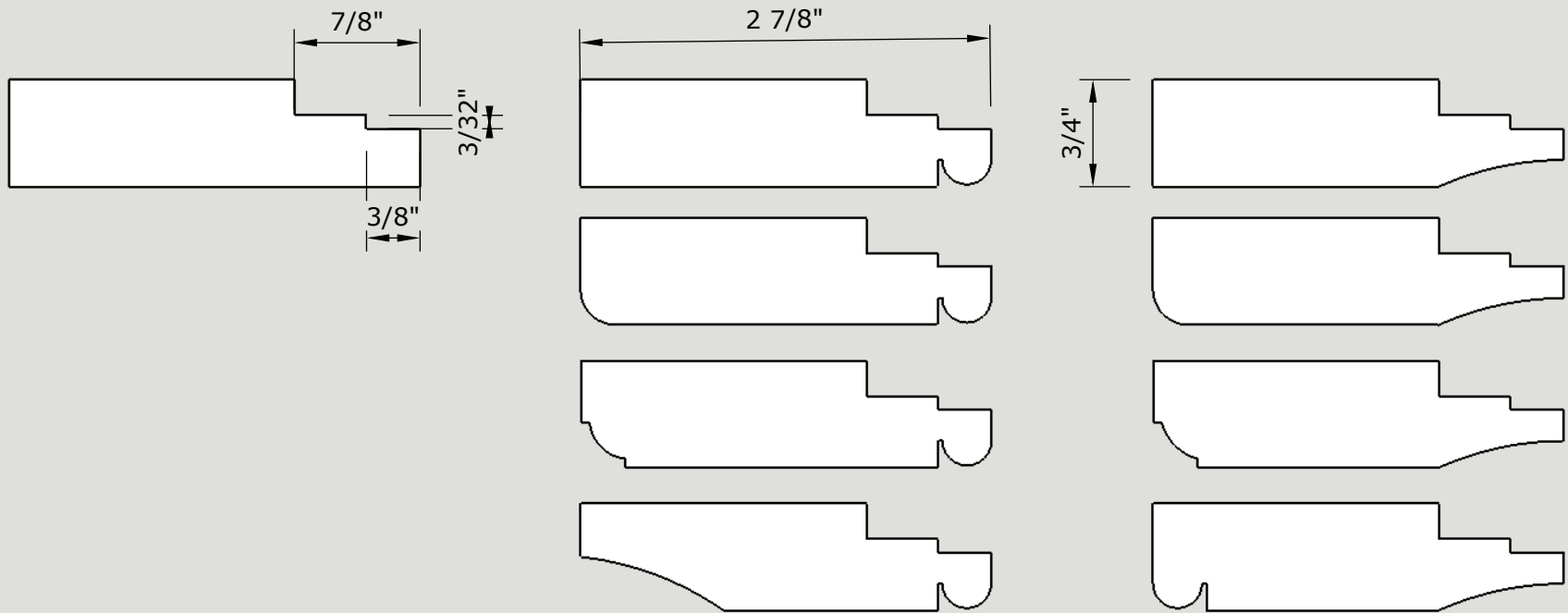
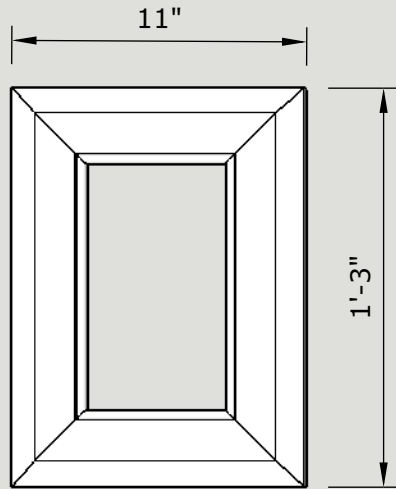


Sample Profile Options

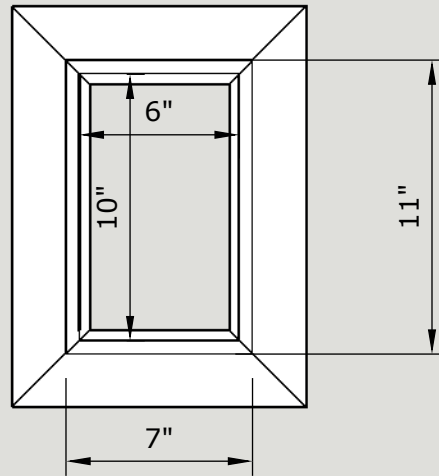


Be creative and define your own profiles

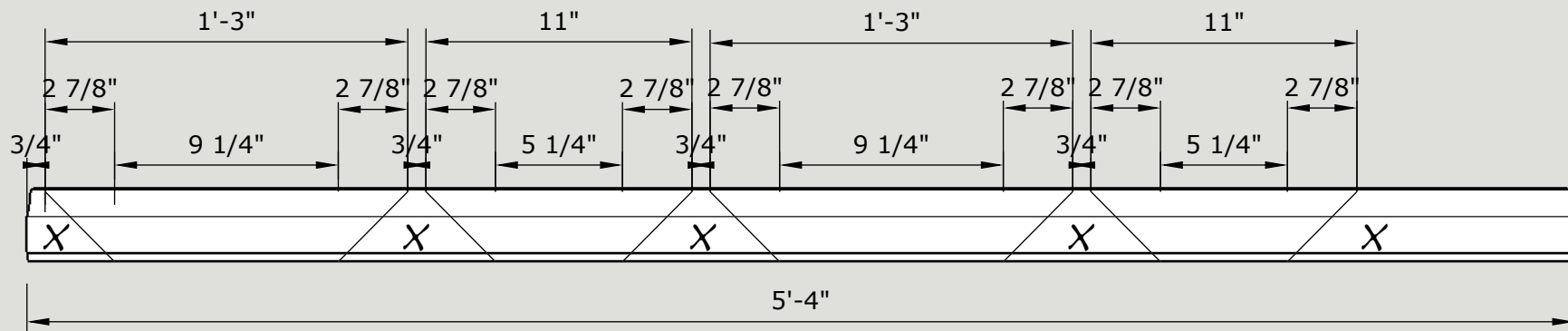
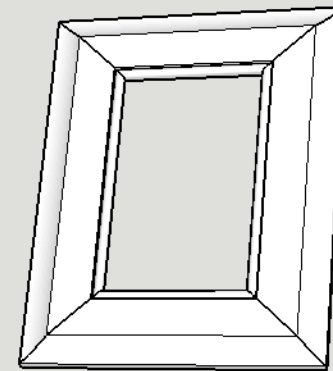
Front View



Rear View



Perspective View



Cutting Diagram

X = Waste